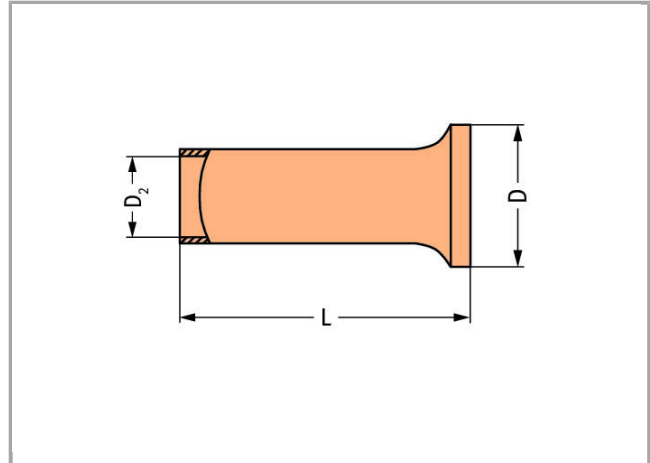
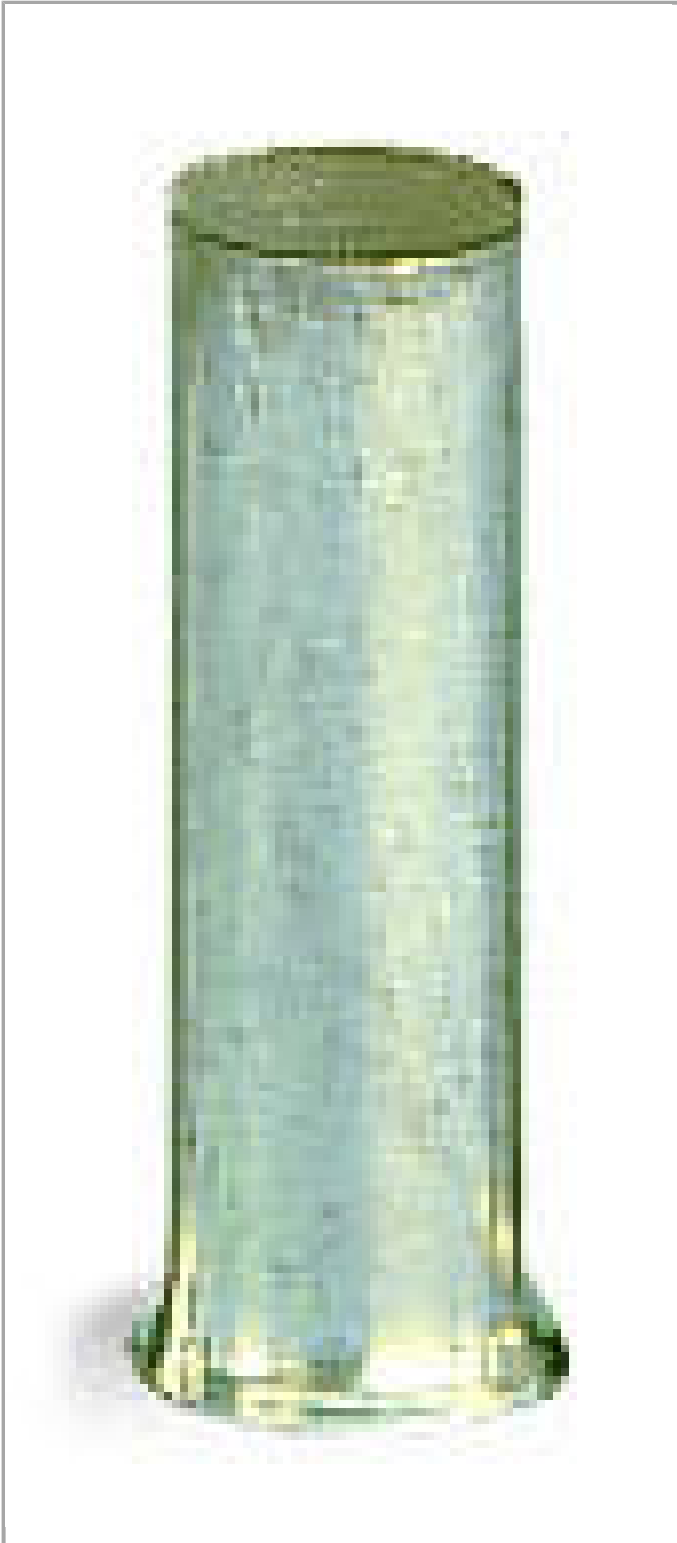


Data sheet | Item number: 216-106

Ferrule; Sleeve for 2.5 mm<sup>2</sup> / AWG 14; uninsulated; electro-tin plated



216-106



RoHS   
Compliant

[BOMcheck.net](#)

## Data

### Technical Data

Main product function	Ferrule
Querschnitt Hülse AWG	14 AWG
Hülse für	2.5 mm <sup>2</sup>

### Connection data

Strip length	10 mm / 0.39 inch
--------------	-------------------

### Geometrical Data

Length	10 mm
Diameter	3.4 mm
Diameter 2	2.2 mm

### Material Data

Weight	0.105 g
--------	---------

### Commercial data

Product Group	2 (Terminal Block Accessories)
Country of origin	DE
GTIN	4017332277686
Customs Tariff No.	85369010000

## Downloads

### Documentation

#### Bid Text

216-106	doc 24.6 kB	<a href="#">Download</a>
---------	----------------	--------------------------



Subject to changes.

---